



Relilight

Installation Instructions
Montageanleitung
Notice de montage
Manual de instrucciones
de montaje
Manual de montagem
Istruzioni di montaggio


Montagehandleiding
Monteringsvejledning
Monteringsanvisning
Monteringsanvisning
Asennusohje
Instrukcja montażu

Návod k montáži
Szerelési útmutató
Navodila za montažo
Instrucțiuni de montaj
Kullanım Talimatları

Installation Instructions

Table of contents

1	Installer information	4
1.1	Field of application	4
1.2	Used labels and symbols	4
1.3	Safekeeping of documents and actuality	4
1.4	Intended use	4
1.5	EC conformity	4
1.6	Applicable documents	4
1.7	Customer service and spare parts	4
2	Safety instructions	5
2.1	Representation and layout of warning instructions	5
2.2	Danger grading of warning instructions	5
2.3	Basic safety instructions	5
2.4	Limitations of use	5
2.5	User obligations	5
3	Transport and storage	5
4	Structure	5
5	Installation	6
5.1	Installing the Relilight V 2.75 I1	6
5.2	Installing the Relilight V 32.5 I2	7
5.3	Installing the Relilight V 61.5 I2	9
5.4	Installing the Relilight V 31.5 U1	10
5.5	Installing the Relilight V 41 U1	12
5.6	Installing the Relilight V 32.5 P1	13
5.7	Installing the Relilight V 41.5 P1	15
5.8	Installing the Relilight V 34 P2	16
5.9	Installing the Relilight V 36 P2	18
6	Maintenance	19
7	Taking out of operation	19
8	Disposal	19
9	Technical data	19

 The original installation instructions are written in German. The translations are based on these original installation instructions.

GB

DE

FR

ES

PT

IT

NL

DK

NO

SE

FI

PL

CZ

HU

SI

RO

TR

1 Installer information

Before the product is used for the first time, all persons who will be using the product must have carefully read and understood the installation instructions.

This documentation as well as translations hereof are the property of the HellermannTyton Group. Replication, editing, reproducing or distribution in whole or in parts for purposes other than following the original intended use requires the prior written consent from the HellermannTyton Group.

1.1 Field of application

The installation instructions are directed towards technicians and the user. The installation instructions only apply for the products in the Relilight series, called "product" in the following:

TYPE	Article-No.
Relilight V 2.75 I1	435-01650
Relilight V 32.5 I2	435-01651
Relilight V 61.5 I2	435-01652
Relilight V 31.5 U1	435-01653
Relilight V 41 U1	435-01654
Relilight V 32.5 P1	435-01655
Relilight V 41.5 P1	435-01656
Relilight V 34 P2	435-01657
Relilight V 36 P2	435-01658

1.2 Used labels and symbols

In these installation instructions, different labels and symbols are used in the text. These are explained in the following:

- Symbol for an enumeration

- ▶ Symbol for an instruction

1 First step

2 Following steps

- Outcome

Display text/screen text

→ *Cross reference*



Texts with this symbol contain information on environmental protection.



Texts with this symbol contain additional information.

1.3 Safekeeping of documents and actuality

- ▶ Keep these installation instructions as well as all other supplied documents in a safe place, so that they are available at any time.

- ▶ Please note:

Due to the continuous development of the products, there may be deviations between the documentation and the product. The current edition can be found at www.HellermannTyton.com/site/downloads.

1.4 Intended use

The product is only intended to establish underground and above-ground cable connections.

The product may only be installed by trained specialised personnel according to the installation instructions. The specifications contained in these installation instructions are based on our current state of research and development.

Because of the diversity of workmanship and use possibilities, the user must check the suitability of the product for the intended purpose.

The product may only be used for the purposes described in these installation instructions.

The product may only be used in technically perfect condition in accordance with its intended use and the installation instructions, and only by competent persons who are fully aware of the risks involved.

1.5 EC conformity

The product fulfills the requirements in accordance with:

- Connecting devices for low-voltage circuits for household and similar purposes
DIN EN 60998-2-1:2004
- Tests on the flammability of plastics for parts in devices and applications UL94 V0

1.6 Applicable documents

The nonverbal installation instructions must be observed for every product.

1.7 Customer service and spare parts

If you have any questions or suggestions, please contact HellermannTyton. The contact data is listed at the end of this documentation.

2 Safety instructions

The product was manufactured according to the current state of technology and the recognised safety regulations. Nonetheless, use of the product can result in hazards to the life and limb of the user or third persons, or in damage to the device and other material property.

These installation instructions contain information on safety.

- ▶ Always follow all of the instructions to prevent personal injury, material damage or environmental damage.

2.1 Representation and layout of warning instructions

The warning instructions relate to actions and are structured as follows:

⚠ DANGER
Type and source of danger!
Explanations on the type and source of danger.
▶ Measures to prevent danger.

2.2 Danger grading of warning instructions

The warning instructions are graded according to the severity of their danger. In the following, the danger grading is explained with the corresponding signal words and warning symbols.

⚠ DANGER
Immediate risk of lethal or serious injuries.

⚠ WARNING
Possible risk of lethal or serious injuries.

⚠ CAUTION
Possible slight injuries.

NOTE
Damage to the product or the surroundings.

2.3 Basic safety instructions

The following safety instructions apply generally when handling the product.

Danger of electric shock

A faulty or incorrectly installed power supply line can lead to lethal injuries.

- ▶ Observe the voltage class:
250 V, 6 - 16 A or 450 V, 25 A.

2.4 Limitations of use

- ▶ Observe the following requirements for the operational environment:
 - The product may only be used between -30 °C and +130 °C.

2.5 User obligations

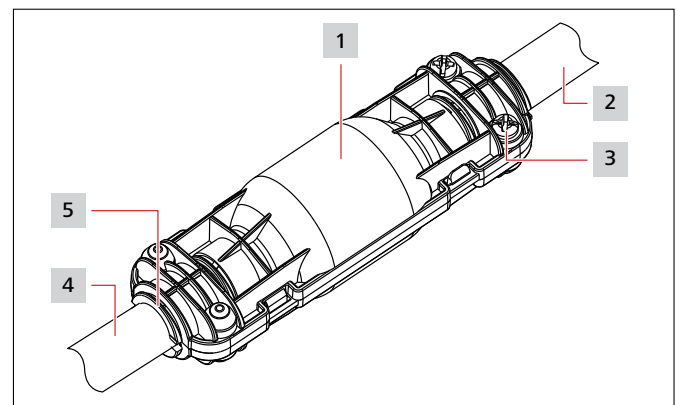
The installer must observe and comply with the respectively applicable national legal regulations and accident prevention regulations.

3 Transport and storage

The product must be protected from humidity, direct sunlight and extreme heat. Do not stack heavy objects on the packaged product. The product has an unlimited shelf life.

4 Structure

The figure shows an example for the structure of the product.



Structure.

- 1 Cable joint
- 2 Main cable 1
- 3 Screws
- 4 Main cable 2
- 5 Adapter

GB

DE

FR

ES

PT

IT

NL

DK

NO

SE

FI

PL

CZ

HU

SI

RO

TR

5 Installation

DANGER

Danger of lethal electric shock!

There is a risk of lethal injury when touching live cables.

- ▶ Disconnect the cable from the power supply before installing the product.
- ▶ Only connect the product to a properly installed and standardised cable.
- ▶ Observe the voltage and amperage requirements.

The following equipment is required for the start-up of the product:

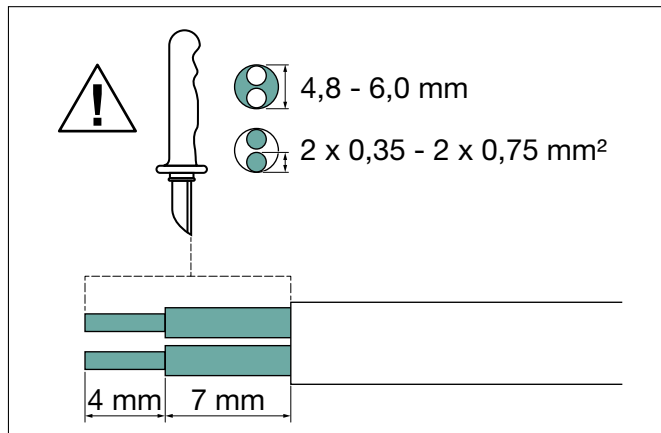
- Cable knife or stripping plier
- Screwdriver
- Crimping plier

i If transport damage has been found or if the scope of delivery was incomplete, please contact Customer Service at HellermannTyton.

5.1 Installing the Relilight V 2.75 I1

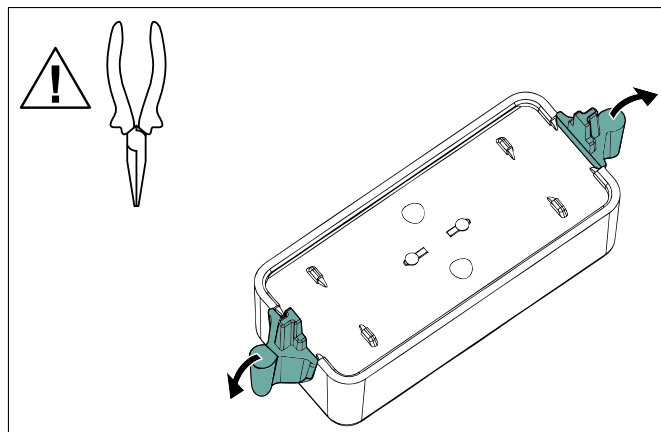
Proceed as follows:

- 1 Strip the cable as shown in the figure and align the cores.



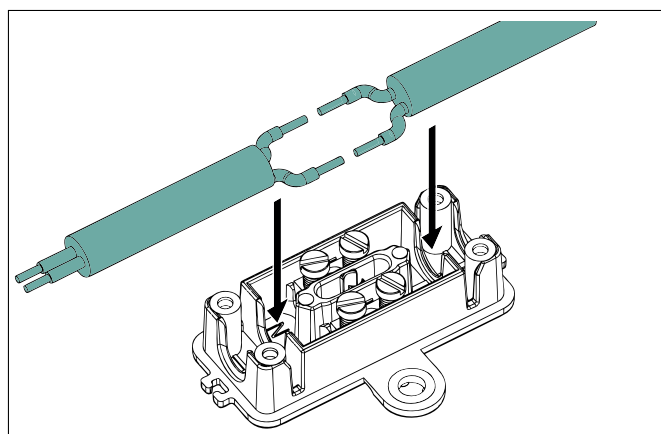
Stripping the cable.

- 2 Break out the spacers.



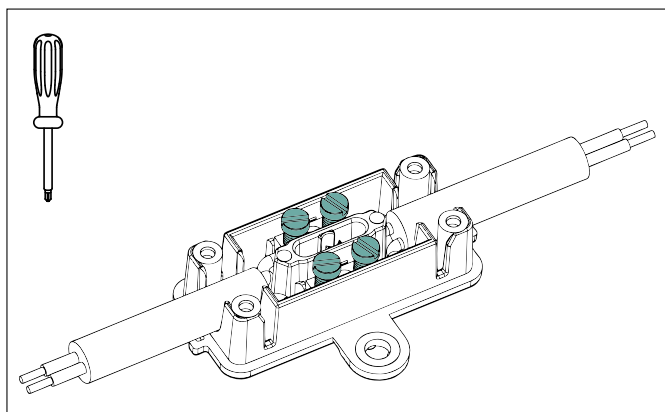
Breaking out the spacers.

- 3 Insert the cable into the bottom shell.



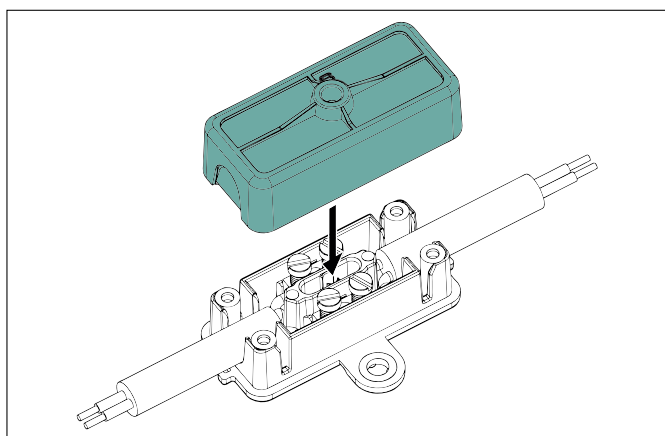
Inserting the cable.

4 Connect the cores with the connector.



Connecting the cores.

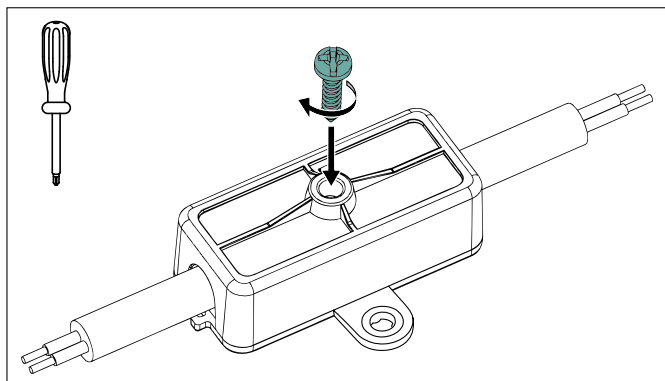
5 Place the top shell on the bottom shell.



Assembling the cable joint.

6 Connect the top shell with the bottom shell using the screw.

► Mount the cable joint onto the wall (optional).



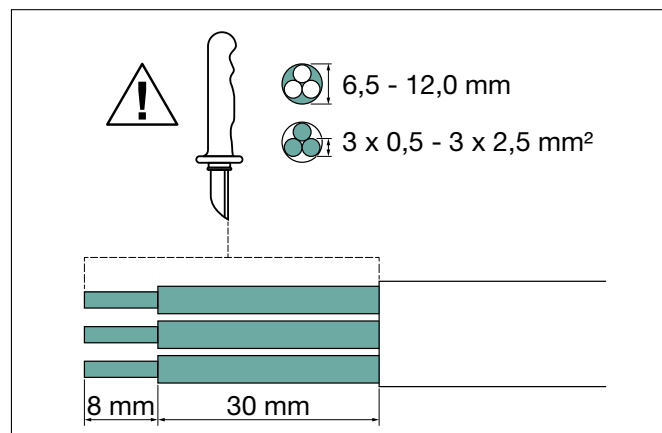
Closing the gel shell.

The product has been successfully installed.

5.2 Installing the Relilight V 32.5 I2

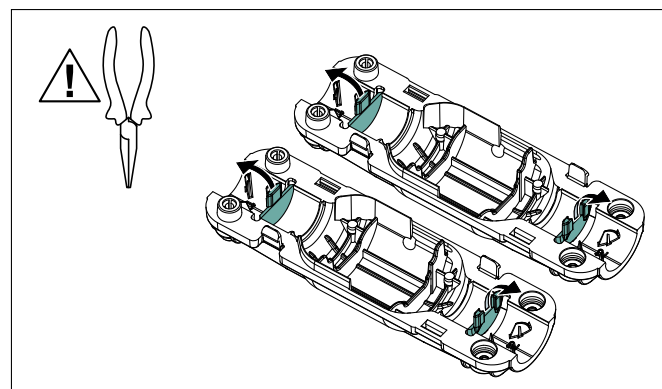
Proceed as follows:

1 Strip the cable as shown in the figure and align the cores.



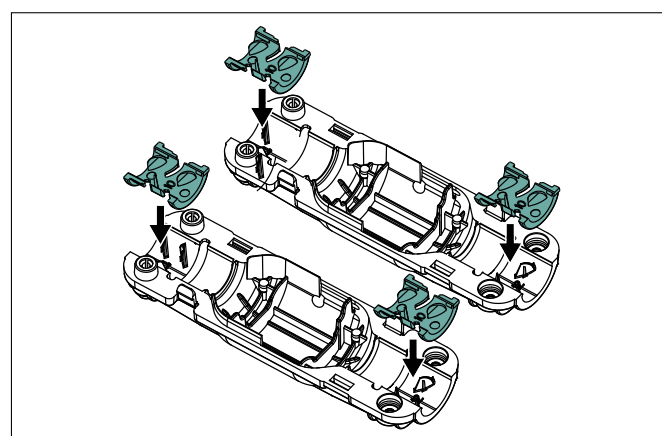
Stripping the cable.

2 Break out the spacers in the top and bottom shell.



Breaking out the spacers.

3 Depending on the cable diameter, insert the adapters in the cable joint.



Inserting the adapters.

GB

DE

FR

ES

PT

IT

NL

DK

NO

SE

FI

PL

CZ

HU

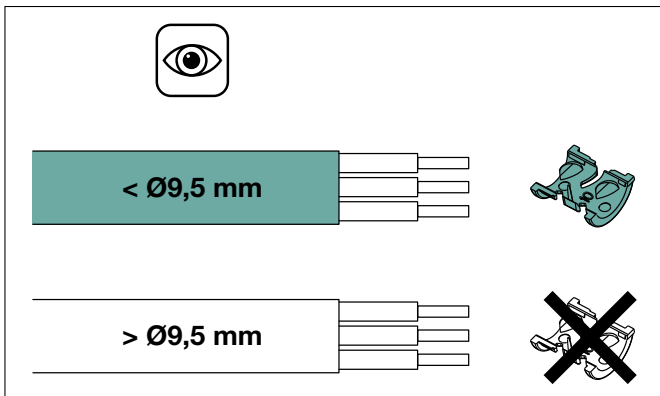
SI

RO

TR

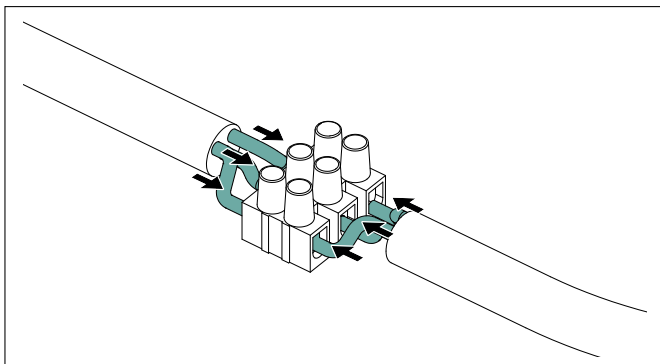
Installation

- ▶ Select the adapters for the corresponding cable diameters.



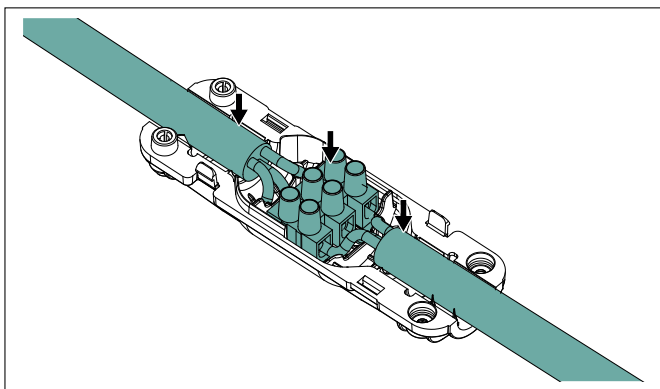
Selecting the adapters.

- 4 Connect the cores with the connector.



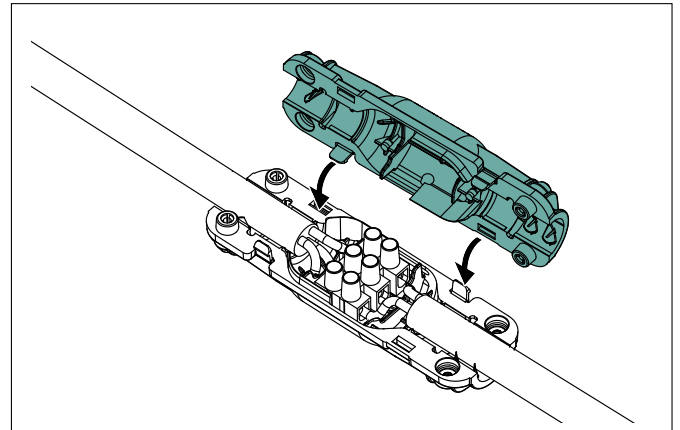
Connecting the cores.

- 5 Insert the cable connection into the bottom shell.



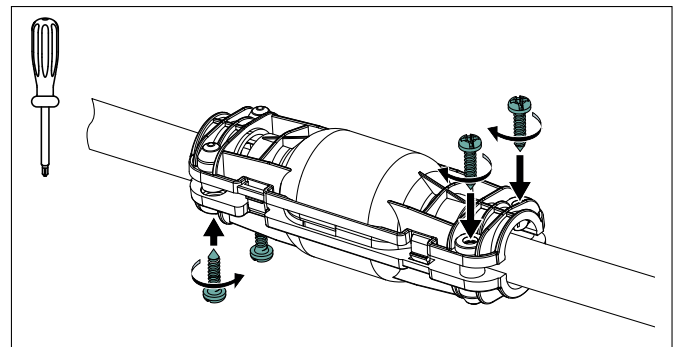
Inserting the cable connection.

- 6 Place the top shell on the bottom shell.
- ▶ Ensure that the catch hooks engage.



Assembling the top and bottom shells.

- 7 Screw the top and bottom shells together with the four screws.



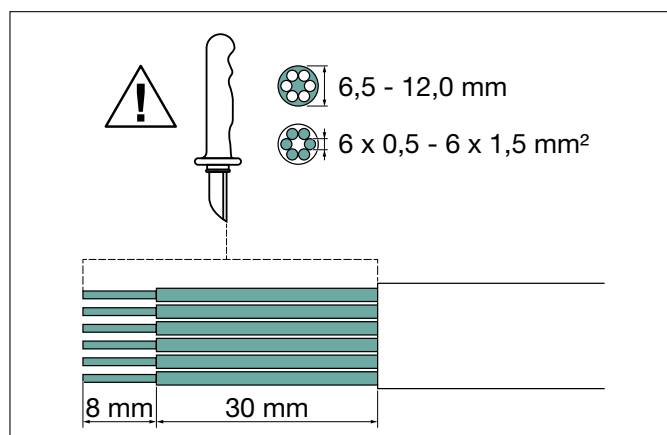
Screwing the top and bottom shells together.

- The product has been successfully installed.

5.3 Installing the Relilight V 61.5 I2

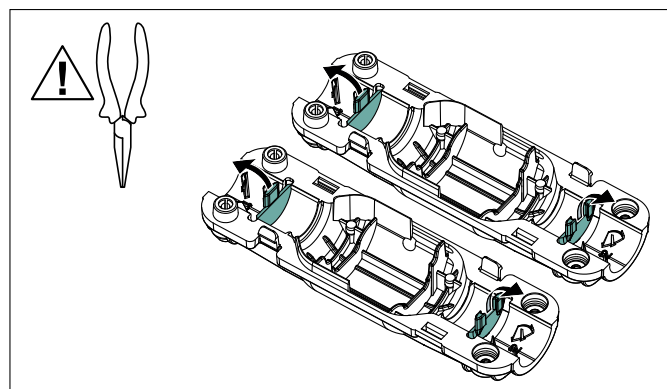
Proceed as follows:

- 1 Strip the cable as shown in the figure and align the cores.



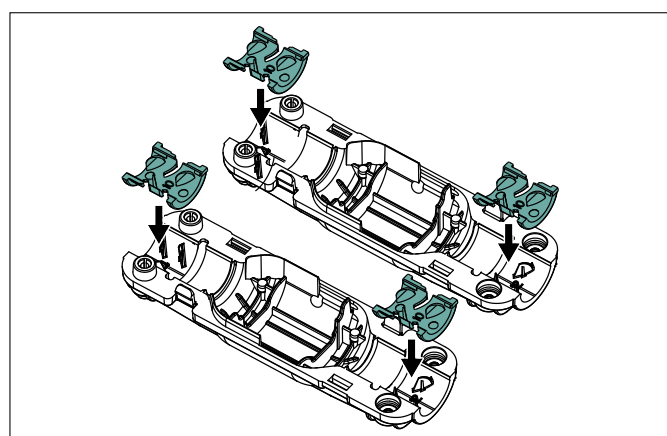
Stripping the cable.

- 2 Break out the spacers from the top and bottom shell.



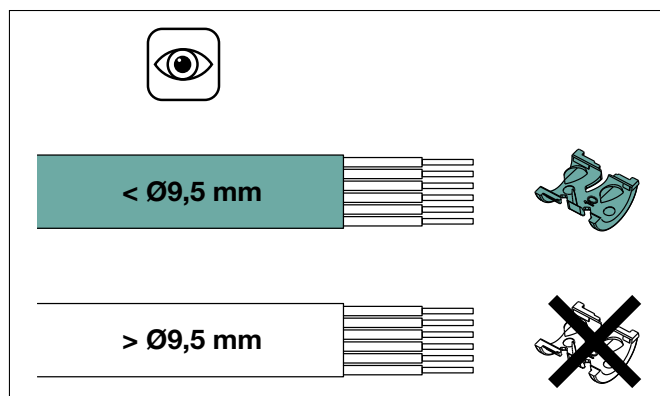
Breaking out the spacers.

- 3 Depending on the cable diameter, insert the adapters in the cable joint.



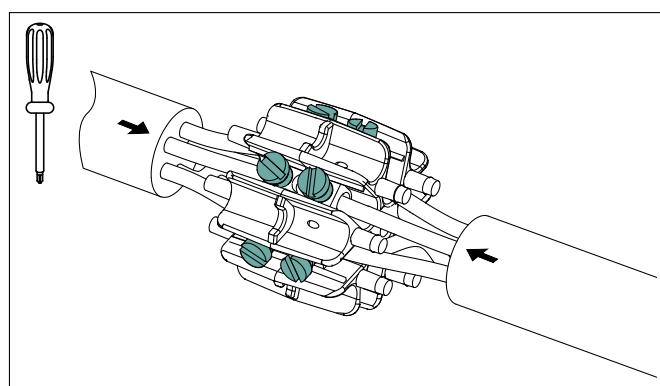
Inserting the adapters.

- Select the adapters for the corresponding cable diameters.



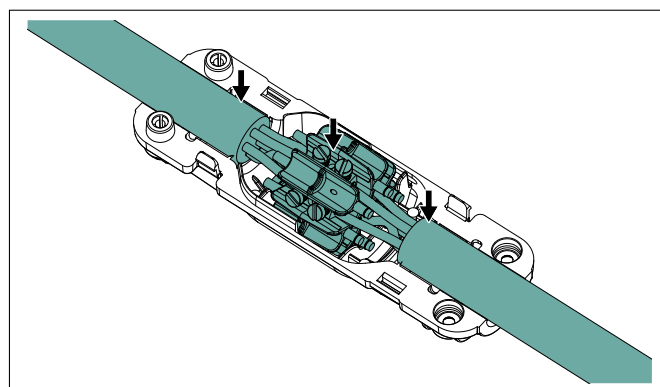
Selecting the adapters.

- 4 Connect the cores with the connector.



Connecting the cores.

- 5 Insert the cable connection into the bottom shell.



Inserting the cable connection.

GB

DE

FR

ES

PT

IT

NL

DK

NO

SE

FI

PL

CZ

HU

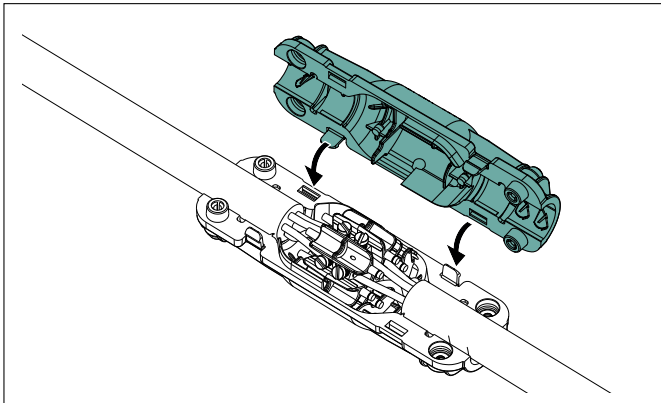
SI

RO

TR

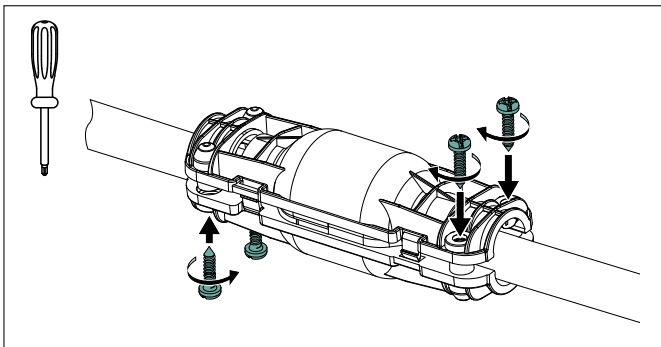
Installation

- 6 Place the top shell on the bottom shell.
 - Ensure that the catch hooks engage.



Assembling the top and bottom shells.

- 7 Screw the top and bottom shells together with the four screws.



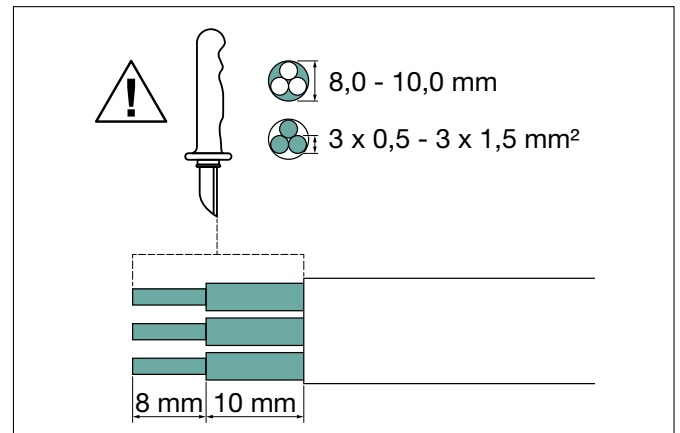
Screwing the top and bottom shells together.

- The product has been successfully installed.

5.4 Installing the Relilight V 31.5 U1

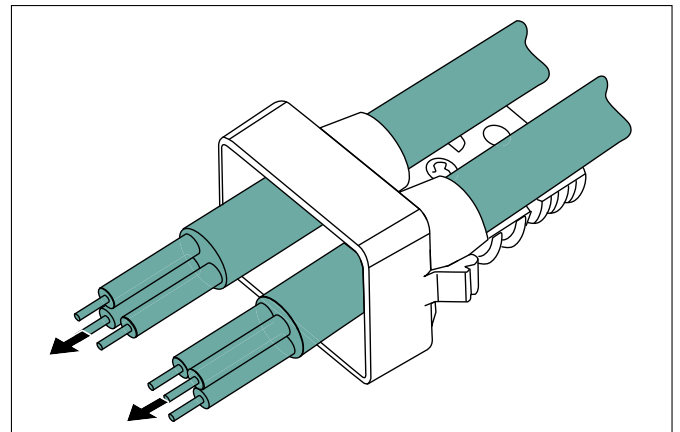
Proceed as follows:

- 1 Strip the cable as shown in the figure and align the cores.



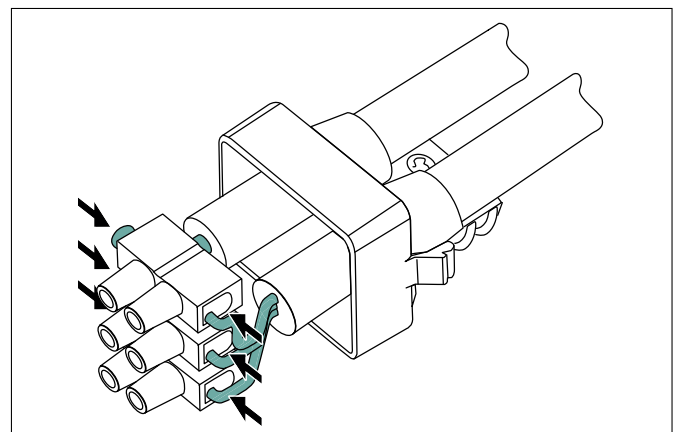
Stripping the cable.

- 2 Insert the cables into the bottom shell.



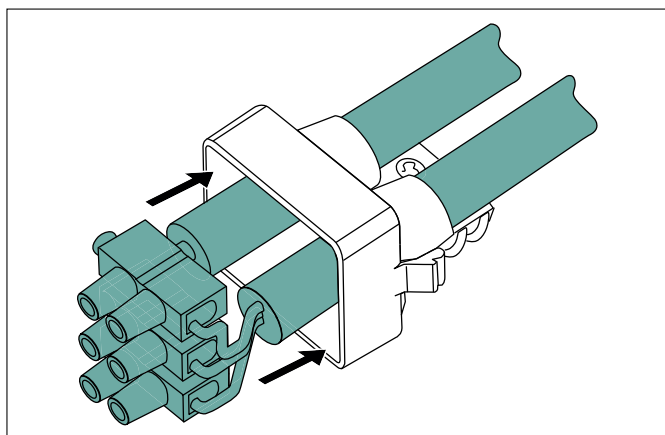
Inserting the cables.

- 3 Connect the cores with the connector.



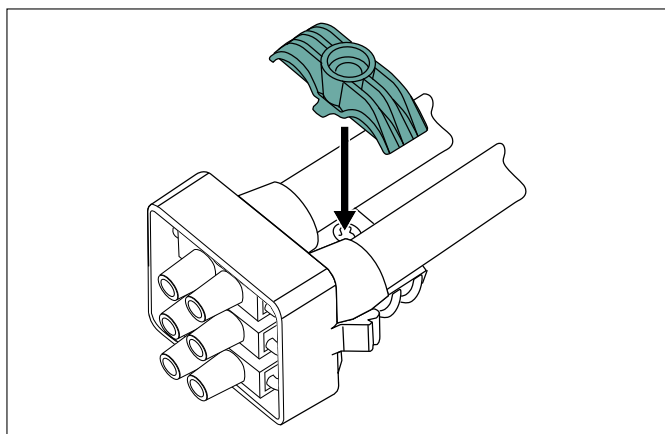
Connecting the cores.

4 Push the connector into the bottom shell.



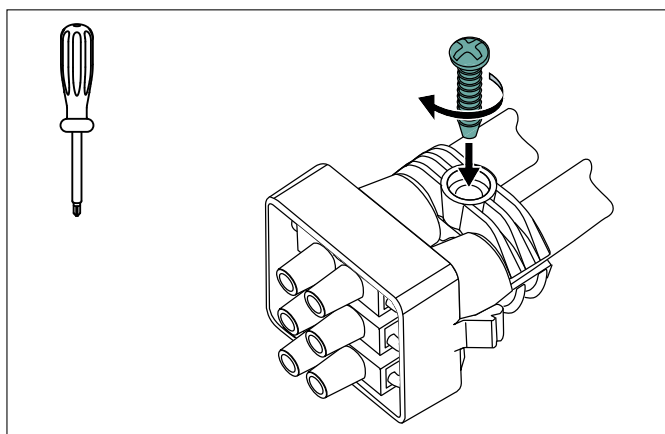
Push the connector into the bottom shell.

5 Position the strain relief.



Positioning the strain relief.

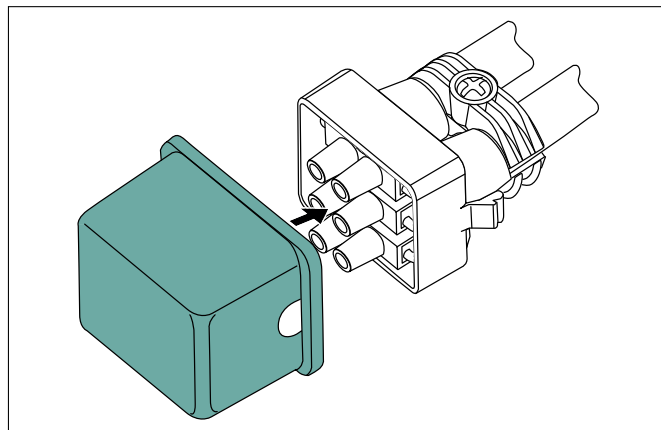
6 Tighten the strain relief.



Tightening the strain relief.

7 Connect the top shell with the bottom shell.

- ▶ Press the top and bottom shells together until the catch hooks engage.



Assembling the cable joint.

- The product has been successfully installed.

GB

DE

FR

ES

PT

IT

NL

DK

NO

SE

FI

PL

CZ

HU

SI

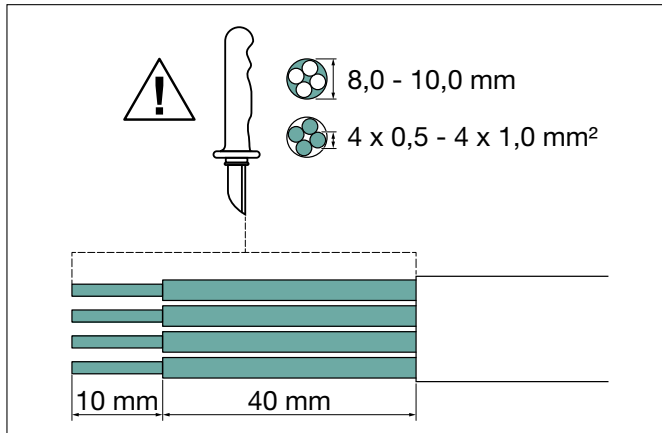
RO

TR

5.5 Installing the Relilight V 41 U1

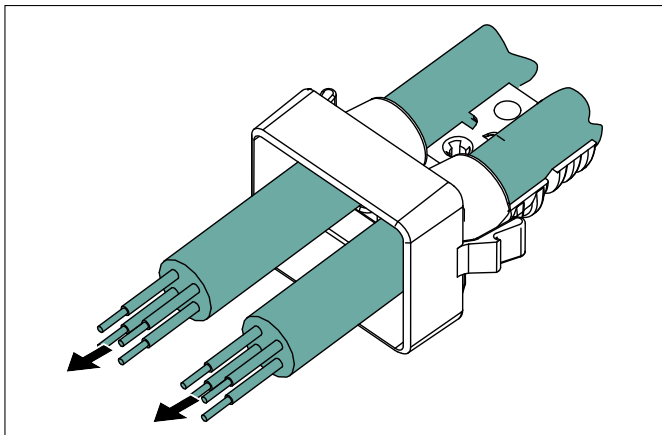
Proceed as follows:

- 1 Strip the cable as shown in the figure and align the cores.



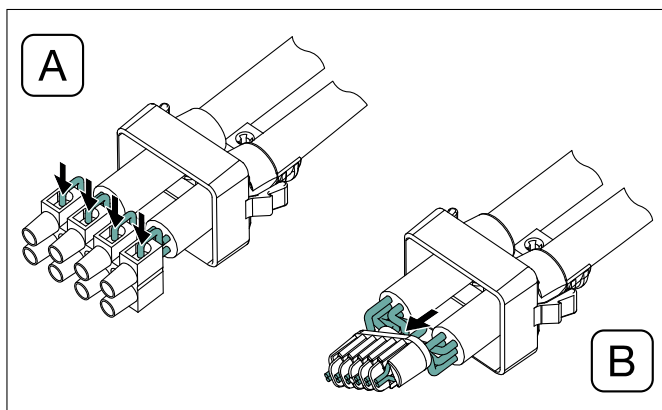
Stripping the cable.

- 2 Insert the cables into the bottom shell.



Inserting the cables.

- 3 Connect the cores with the connector block or solder them together in the core guide.

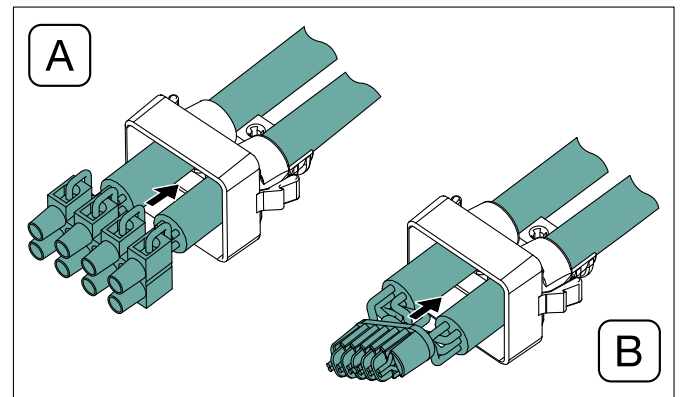


Connecting the cores.

A: Connector

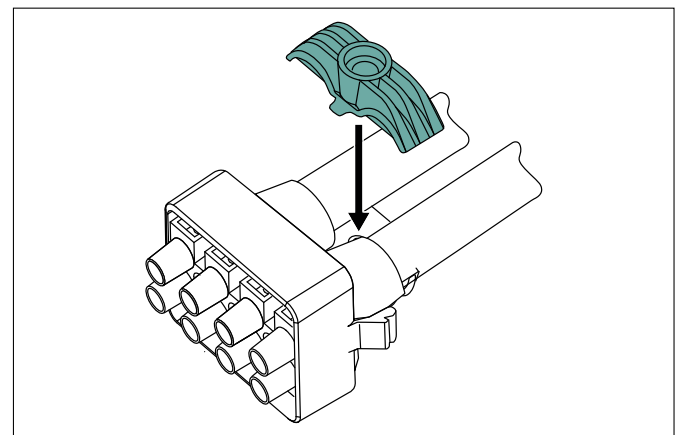
B: Core guide (solder)

- 4 Push the connector into the bottom shell.



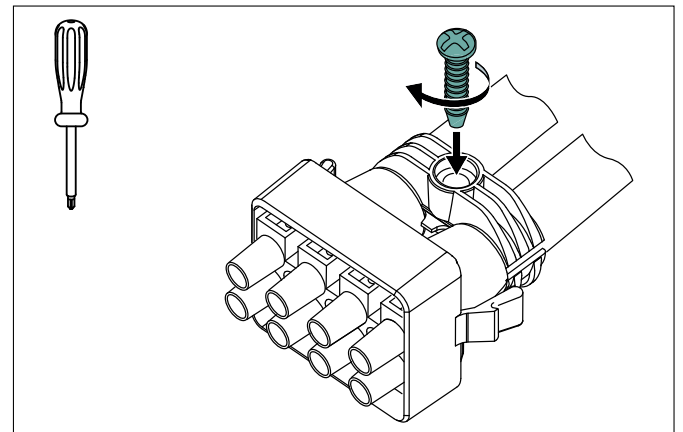
Inserting the connector.

- 5 Position the strain relief.



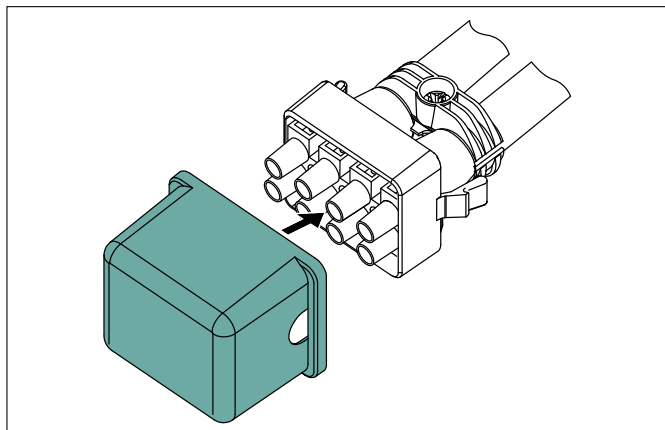
Positioning the strain relief.

- 6 Tighten the strain relief.



Tightening the strain relief.

- 7 Connect the top shell with the bottom shell.
- ▶ Press the top and bottom shells together until the catch hooks engage.



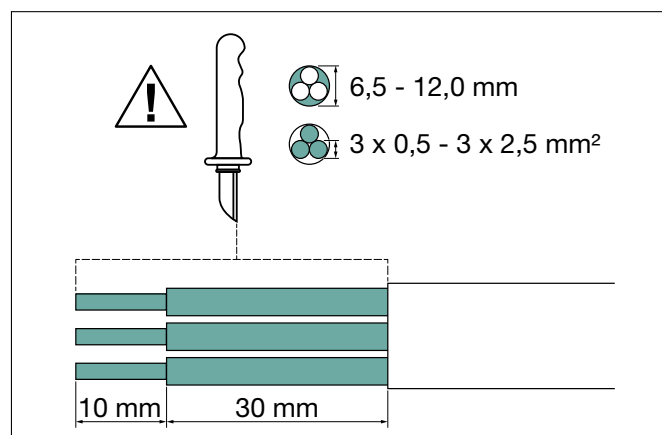
Assembling the cable joint.

- The product has been successfully installed.

5.6 Installing the Relilight V 32.5 P1

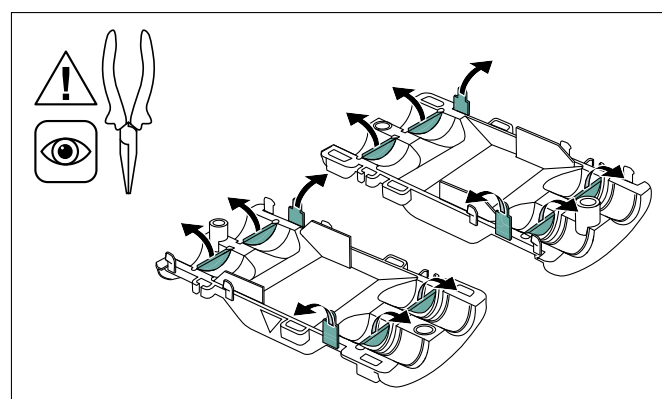
Proceed as follows:

- 1 Strip the cable as shown in the figure and align the cores.



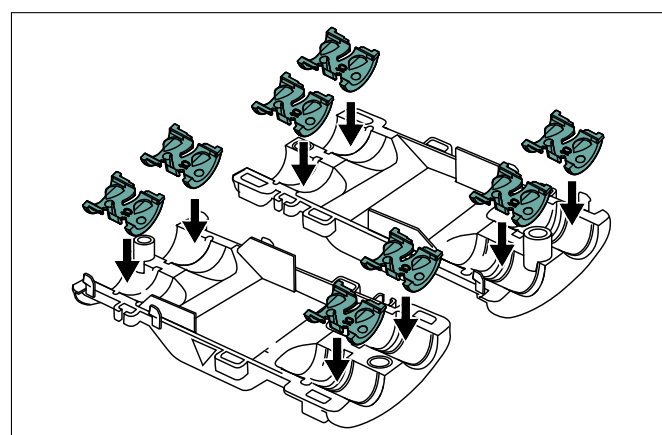
Stripping the cable.

- 2 Break out the spacers and unnecessary insert tabs from the top and bottom shells.



Breaking out the spacers and insert tabs.

- 3 Depending on the cable diameter, insert the adapters in the cable joint.



Inserting the adapters.

GB

DE

FR

ES

PT

IT

NL

DK

NO

SE

FI

PL

CZ

HU

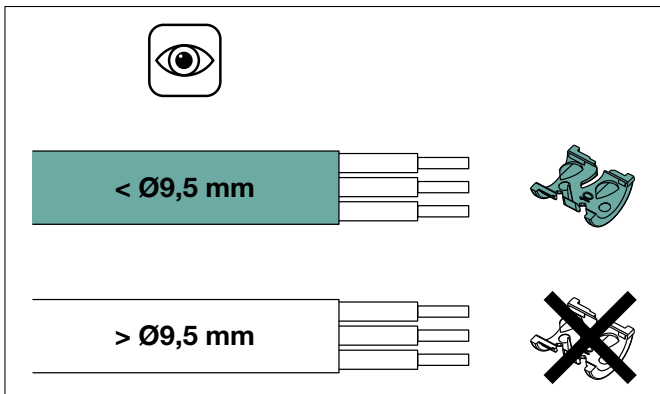
SI

RO

TR

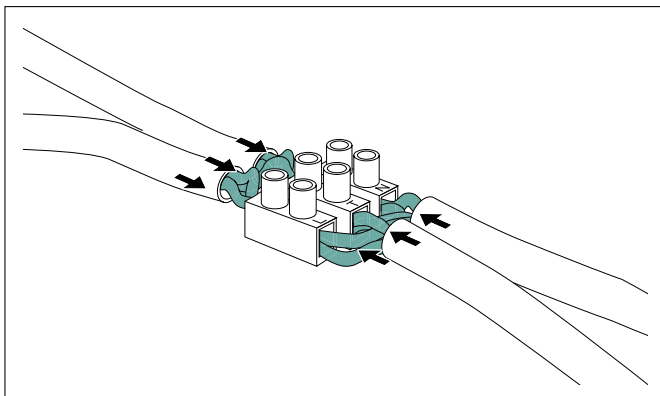
Installation

- ▶ Select the adapters for the corresponding cable diameters.



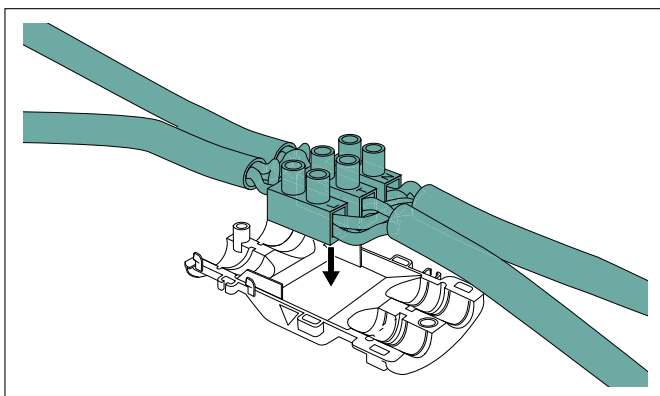
Selecting the adapters.

- 4 Connect the cores with the connector.



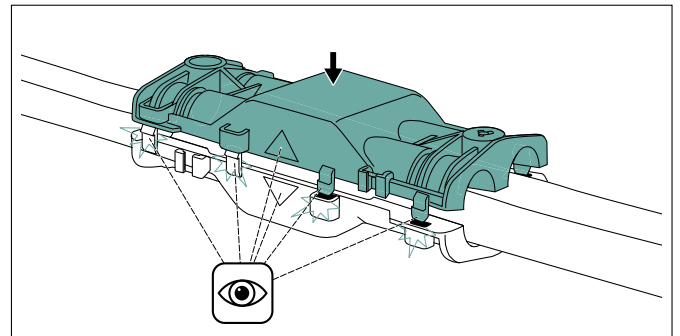
Connecting the cores.

- 5 Insert the cable connection into the bottom shell.



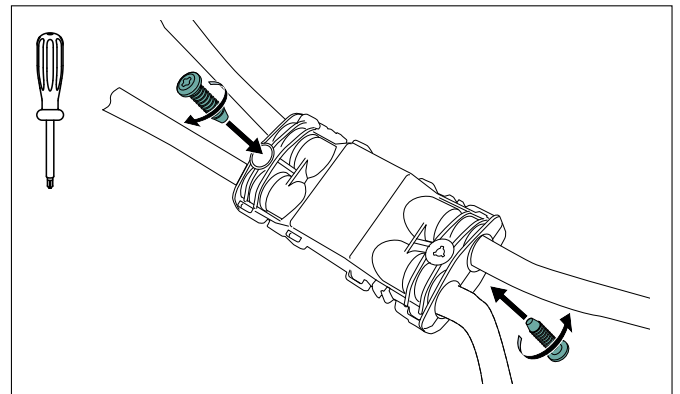
Inserting the cable connection.

- 6 Place the top shell on the bottom shell.
 - ▶ Pay attention to the proper position of the arrows.
 - ▶ Ensure that the catch hooks engage.



Assembling the top and bottom shells.

- 7 Screw the top and bottom shells together with the two screws.



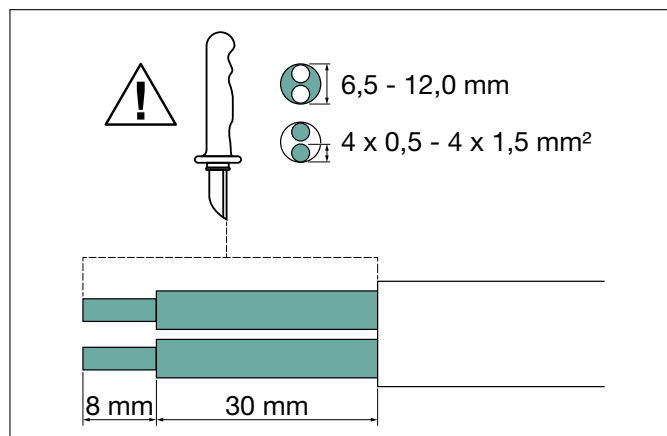
Screwing the top and bottom shells together.

- The product has been successfully installed.

5.7 Installing the Relilight V 41.5 P1

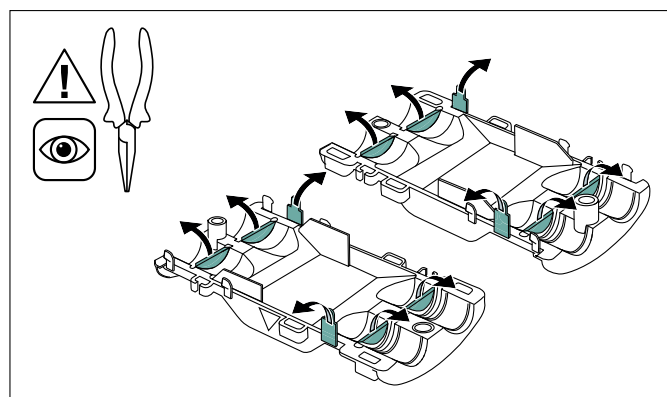
Proceed as follows:

- 1 Strip the cable as shown in the figure and align the cores.



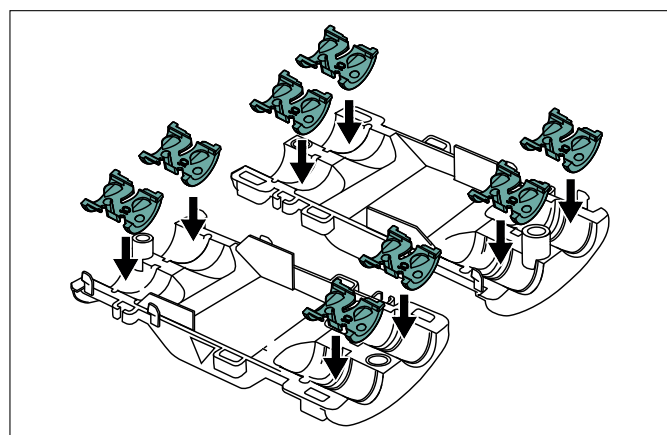
Stripping the cable.

- 2 Break out the unnecessary insert tabs from the top and bottom shell.



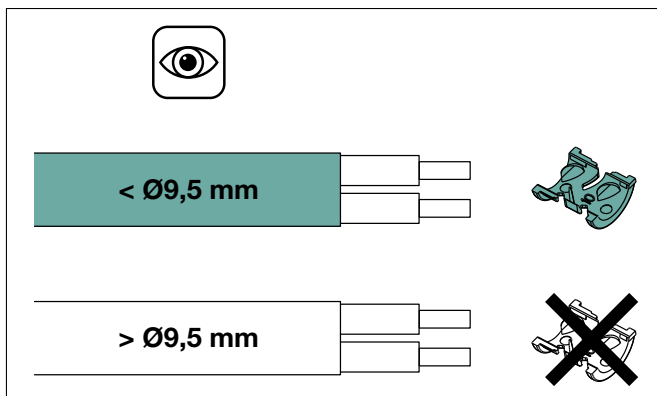
Breaking out the insert tabs.

- 3 Depending on the cable diameter, insert the adapters in the cable joint.



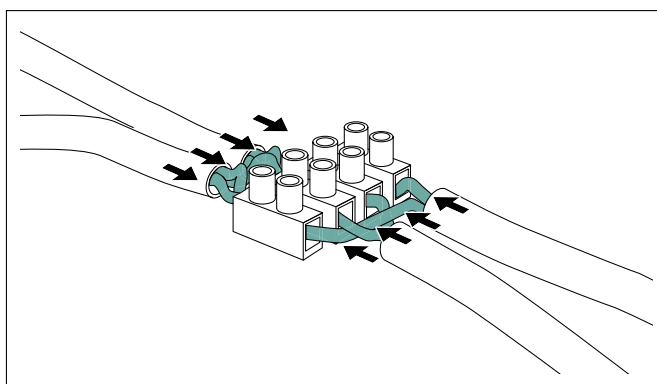
Inserting the adapters.

- ▶ Select the adapters for the corresponding cable diameters.



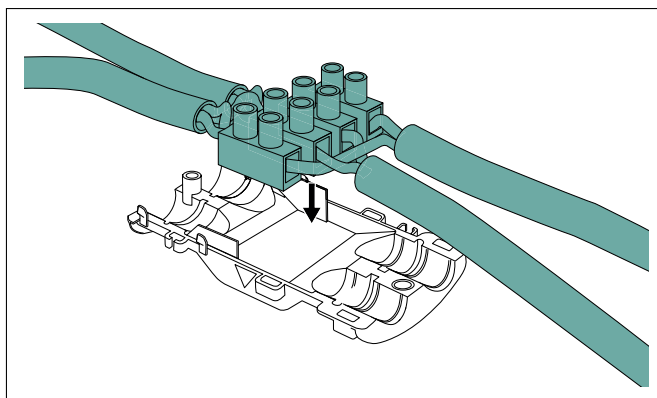
Selecting the adapters.

- 4 Connect the cores with the connector.



Connecting the cores.

- 5 Insert the cable connection into the bottom shell.



Inserting the cable connection.

GB

DE

FR

ES

PT

IT

NL

DK

NO

SE

FI

PL

CZ

HU

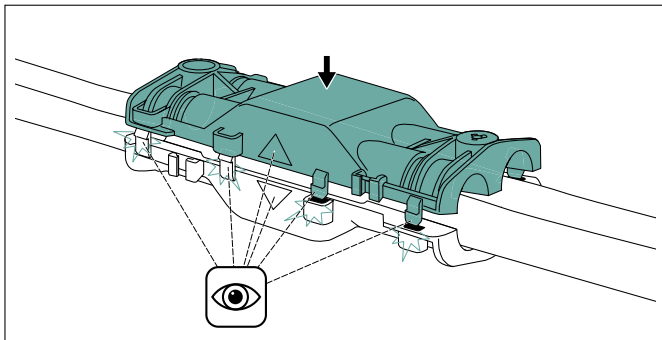
SI

RO

TR

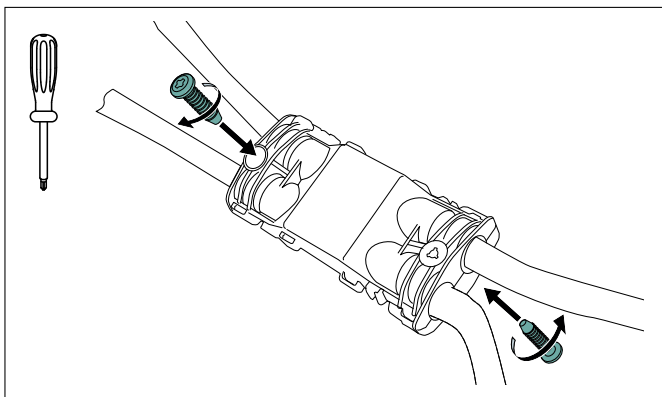
Installation

- 6 Place the top shell on the bottom shell.
 - ▶ Pay attention to the proper position of the arrows.
 - ▶ Ensure that the catch hooks engage.



Assembling the top and bottom shells.

- 7 Screw the top and bottom shells together with the two screws.



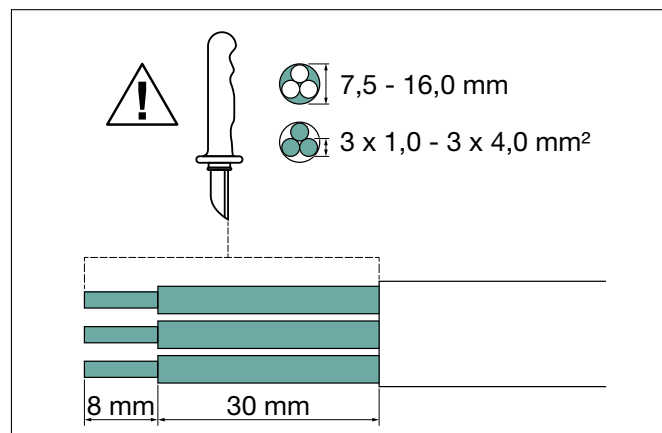
Screwing the top and bottom shells together.

- The product has been successfully installed.

5.8 Installing the Relilight V 34 P2

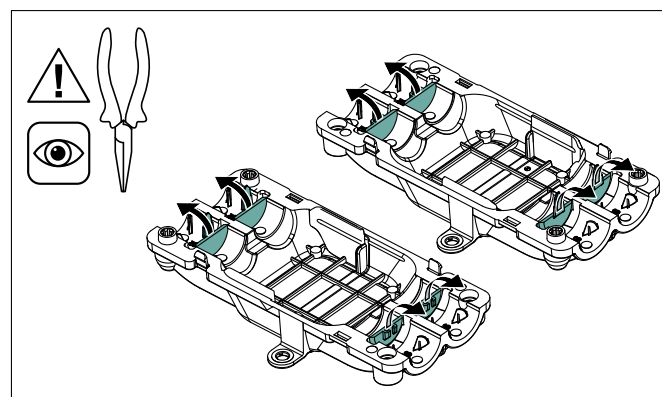
Proceed as follows:

- 1 Strip the cable as shown in the figure and align the cores.



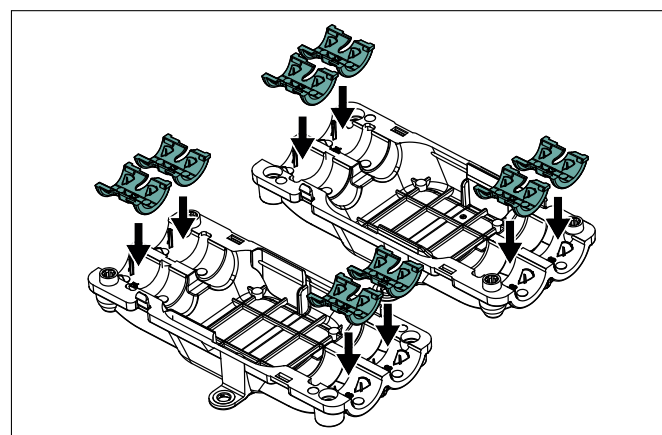
Stripping the cable.

- 2 Break out the spacers and unnecessary insert tabs from the top and bottom shells.



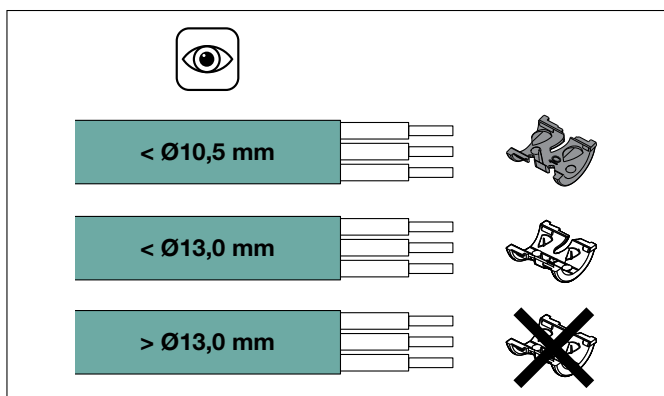
Breaking out the spacers and insert tabs.

- 3 Depending on the cable diameter, insert the adapters in the cable joint.



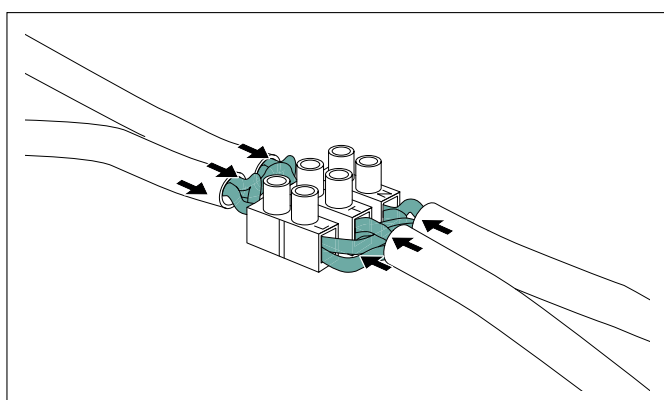
Inserting the adapters.

- ▶ Select the adapters for the corresponding cable diameters.



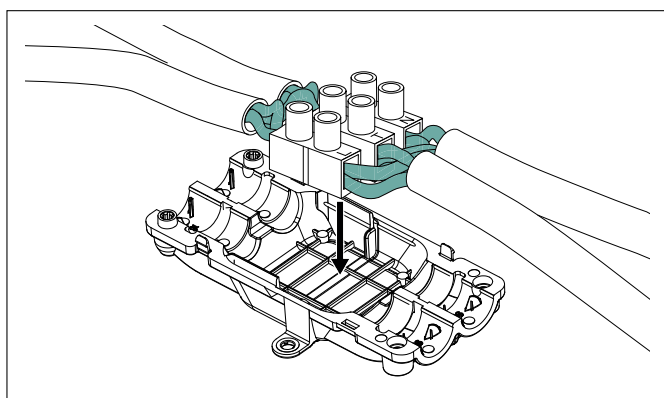
Selecting the adapters.

- 4 Connect the cores with the connector.



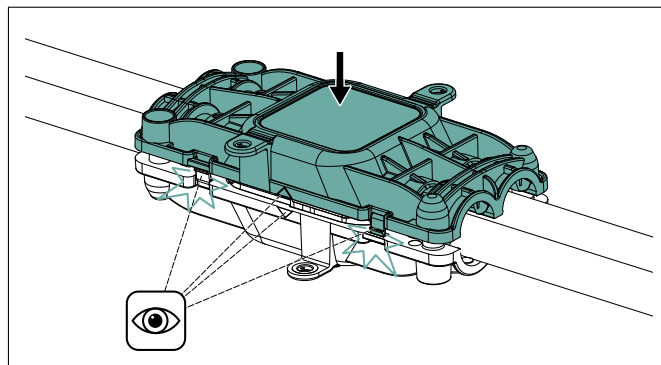
Connecting the cores.

- 5 Insert the cable connection into the bottom shell.



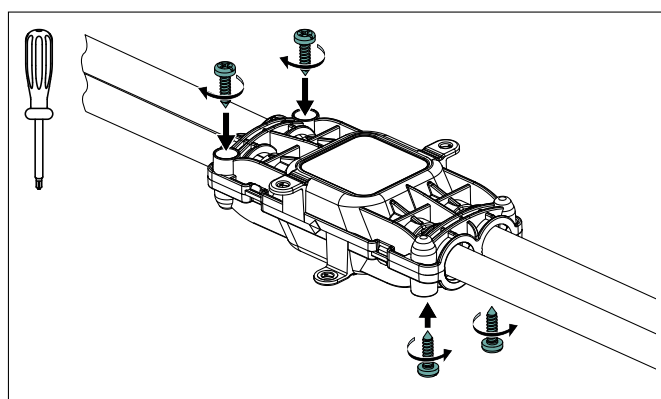
Inserting the cable connection.

- 6 Place the top shell on the bottom shell.
 - ▶ Pay attention to the proper position of the arrows.
 - ▶ Ensure that the catch hooks engage.



Assembling the top and bottom shells.

- 7 Screw the top and bottom shells together with the four screws.



Screwing the top and bottom shells together.

- The product has been successfully installed.

GB

DE

FR

ES

PT

IT

NL

DK

NO

SE

FI

PL

CZ

HU

SI

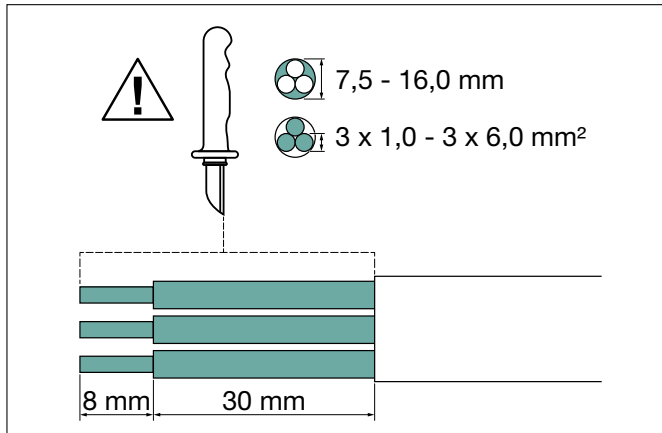
RO

TR

5.9 Installing the Relilight V 36 P2

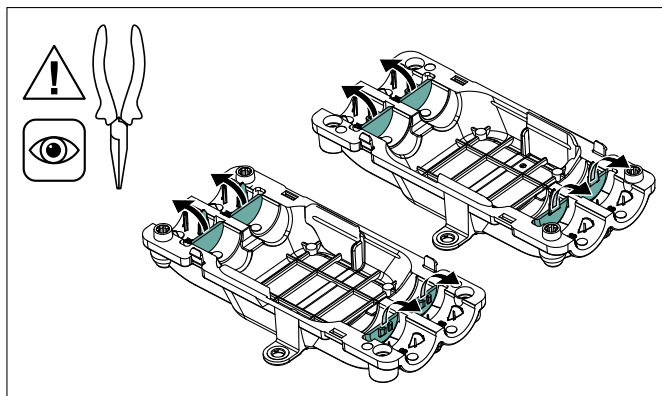
Proceed as follows:

- 1 Strip the cable as shown in the figure and align the cores.



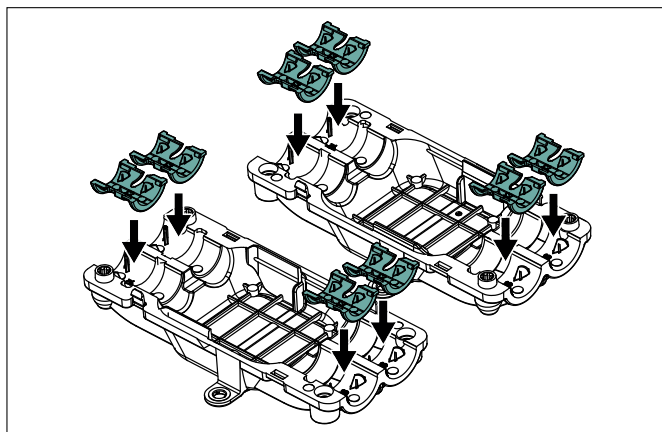
Stripping the cable.

- 2 Break out the spacers and unnecessary insert tabs from the top and bottom shells.



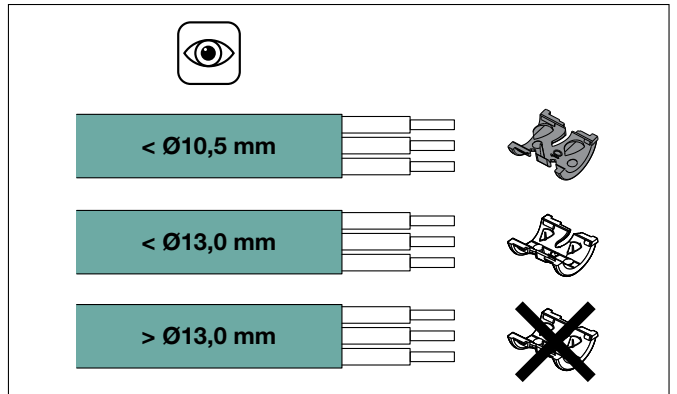
Breaking out the spacers.

- 3 Depending on the cable diameter, insert the adapters in the cable joint.



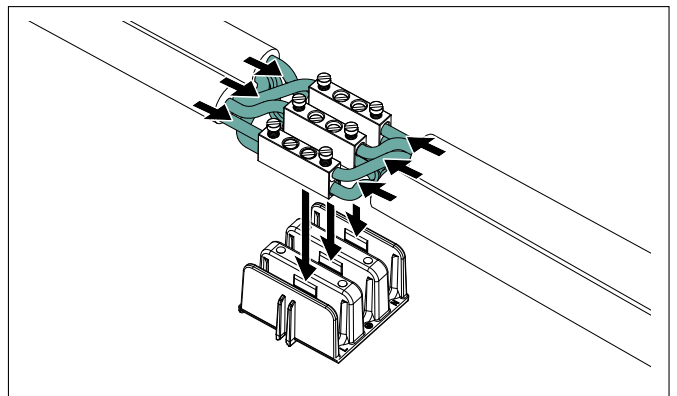
Inserting the adapters.

- Select the adapters for the corresponding cable diameters.



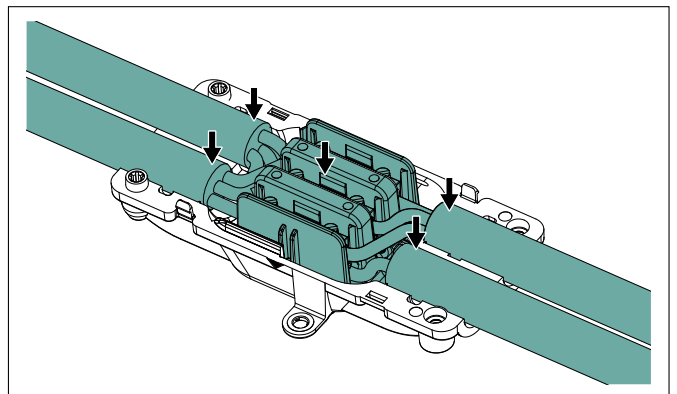
Selecting the adapters.

- 4 Connect the cores with the connector.



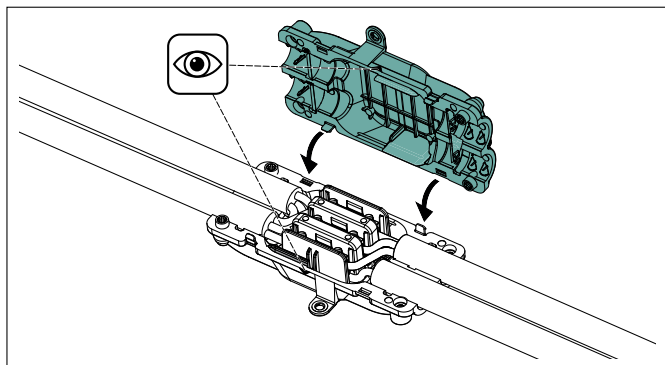
Connecting the cores.

- 5 Insert the cable connection into the bottom shell.



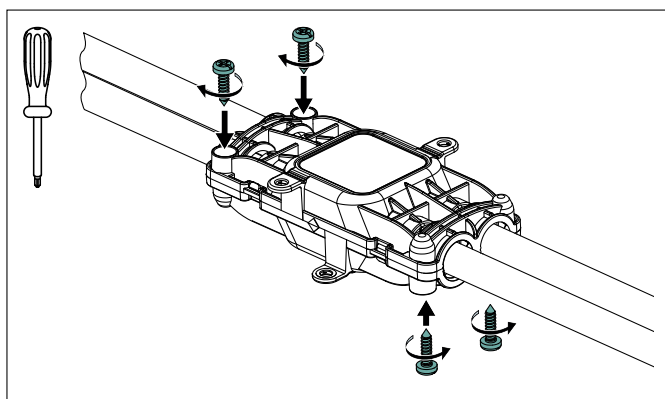
Inserting the cable connection.

- 6 Place the top shell on the bottom shell.
- ▶ Pay attention to the proper position of the arrows.
- ▶ Ensure that the catch hooks engage.



Assembling the top and bottom shells.

- 7 Screw the top and bottom shells together with the four screws.



Screwing the top and bottom shells together.

- The product has been successfully installed.

6 Maintenance


The product requires no maintenance.

7 Taking out of operation

When installed and used for its intended purpose, the product will perform continuously without issues.

8 Disposal

After termination of use, the purchaser or the operator must properly dispose of the product including the accessories.

 This product was manufactured according to the current environmental protection standards. The materials can be separated and recycled.

- ▶ Observe the national regulations for the disposal of recyclable materials.
- ▶ Do not dispose of the product with domestic waste.
- ▶ Take the product to a local collection point or recycling centre.
- ▶ If necessary, contact your local environmental office.

9 Technical data

Characteristics	
Safety class	IP68
Insulating properties	> 1 kV
Ageing resistance	Yes
UV resistance	Yes
Weather resistance	Yes
Shelf life	Unlimited
Operating temperature	-30 °C to +130 °C
Scope of application	Interior rooms, outdoors, in water, in the ground and in installation ducts

GB

DE

FR

ES

PT

IT

NL

DK

NO

SE

FI

PL

CZ

HU

SI

RO

TR

Relilight V 2.75 I1		
Length	44 mm	
Width	18 mm	
Height	17.5 mm	
Voltage class	250 V / 6 A	
Cable diameter	4.8 mm - 6 mm	
Conductor cross-section	min.	2 x 0.35 mm ²
	max.	2 x 0.75 mm ²

Relilight V 32.5 I2		
Length	100 mm	
Diameter	29 mm	
Voltage class	250 V / 16 A	
Cable diameter	6.5 mm - 12 mm	
Conductor cross-section	min.	3 x 0.5 mm ²
	max.	3 x 2.5 mm ²

Relilight V 61.5 I2		
Length	100 mm	
Diameter	29 mm	
Voltage class	12 V - 24 V	
Cable diameter	6.5 mm - 12 mm	
Conductor cross-section	min.	6 x 0.5 mm ²
	max.	6 x 1.5 mm ²

Relilight V 31.5 U1		
Length	38 mm	
Width	42.5 mm	
Height	29.5 mm	
Voltage class	250 V / 16 A	
Cable diameter	8 mm - 10 mm	
Conductor cross-section	min.	3 x 0.5 mm ²
	max.	3 x 1.5 mm ²

Relilight V 41 U1		
Length	38 mm	
Width	42.5 mm	
Height	29.5 mm	
Voltage class	12 V - 24 V	
Cable diameter	8 mm - 10 mm	
Conductor cross-section	min.	4 x 0.5 mm ²
		6 x 0.35 mm ²
	max.	4 x 1 mm ²
		6 x 0.5 mm ²

Relilight V 32.5 P1		
Length	105 mm	
Width	44 mm	
Height	24 mm	
Voltage class	250 V / 16 A	
Cable diameter (main cable 2 / main cable 1)	6.5 mm - 12 mm	
Conductor cross-section (main cable 2 / main cable 1)	min.	3 x 0.5 mm ²
	max.	3 x 2.5 mm ²

Relilight V 41.5 P1		
Length	105 mm	
Width	44 mm	
Height	24 mm	
Voltage class	250 V / 16 A	
Cable diameter (main cable 2 / main cable 1)	6.5 mm - 12 mm	
Conductor cross-section (main cable 2 / main cable 1)	min.	4 x 0.5 mm ²
	max.	4 x 2.5 mm ²

Relilight V 34 P2		
Length	138 mm	
Width	78 mm	
Height	35 mm	
Voltage class	450 V / 25 A	
Cable diameter (main cable 2 / main cable 1)	7.5 mm - 16 mm	
Conductor cross-section (main cable 2 / main cable 1)	min.	3 x 1.5 mm ²
	max.	3 x 4 mm ²

Relilight V 36 P2		
Length	138 mm	
Width	78 mm	
Height	35 mm	
Voltage class	450 V / 25 A	
Cable diameter (main cable 2 / main cable 1)	7.5 mm - 16 mm	
Conductor cross-section (main cable 2 / main cable 1)	min.	3 x 1.5 mm ²
	max.	3 x 6 mm ²

All dimensions in mm. We reserve the right to make technical changes without notice. Minimum order quantities (MOQ) can deviate from the package contents.

HellermannTyton operates globally in 37 countries



Europe

HellermannTyton GmbH – Austria

Rennbahnweg 65
1220 Vienna
Tel: +43 12 59 99 55-0
Fax: +43 12 59 99 11
E-Mail: office@HellermannTyton.at
www.HellermannTyton.at

HellermannTyton – Czech Republic

E-Mail: officeCZ@HellermannTyton.at
www.HellermannTyton.cz

HellermannTyton – Denmark

Industrivej 44A, 1.
4000 Roskilde
Tel: +45 702 371 20
Fax: +45 702 371 21
E-Mail: htdk@HellermannTyton.dk
www.HellermannTyton.dk

HellermannTyton – Finland

Sähkötie 8
01510 Vantaa
Tel: +358 9 8700 450
Fax: +358 9 8700 4520
E-Mail: myynti@HellermannTyton.fi
www.HellermannTyton.fi

HellermannTyton S.A.S. – France

2 rue des Hêtres, C.S. 80543
78197 Trappes Cedex
Tel: +33 1 30 13 80 00
Fax: +33 1 30 13 80 60
E-Mail: info@HellermannTyton.fr
www.HellermannTyton.fr

HellermannTyton GmbH – Germany

Großer Moorweg 45
25436 Tornesch
Tel: +49 4122 701-0
Fax: +49 4122 701-400
E-Mail: info@HellermannTyton.de
www.HellermannTyton.de

HellermannTyton KFT – Hungary

Kisfaludy u. 13
1044 Budapest
Tel: +36 1 369 4151
Fax: +36 1 369 4151
E-Mail: officeHU@HellermannTyton.at
www.HellermannTyton.hu

HellermannTyton Ltd – Ireland

Unit 77 Cherry Orchard
Industrial Estate
Ballyfermot, Dublin 10
Tel: +353 1 626 8267
Fax: +353 1 626 8022
E-Mail: sales@HellermannTyton.ie
www.HellermannTyton.co.uk

HellermannTyton S.r.l. – Italy

Via Visco, 3/5
35010 Limena (PD)
Tel: +39 049 767 870
Fax: +39 049 767 985
E-Mail: info@HellermannTyton.it
www.HellermannTyton.it

HellermannTyton B.V. – Belgium/Netherlands

Vanadiumweg 11-C
3812 PX Amersfoort
Tel: +31 33 460 06 90
Fax: +31 33 460 06 99
E-Mail (NL): info@HellermannTyton.nl
E-Mail (BE): info@HellermannTyton.be
www.HellermannTyton.nl
www.HellermannTyton.be

HellermannTyton AS – Norway

PO Box 240 Alnabru
0614 Oslo
Tel: +47 23 17 47 00
Fax: +47 22 97 09 70
E-Mail: firmapost@HellermannTyton.no
www.HellermannTyton.no

HellermannTyton Sp. z o.o. – Poland

Kotunia 111
62-400 Słupca
Tel.: +48 63 2237111
Fax: +48 63 2237110
Email: info@HellermannTyton.pl
www.HellermannTyton.pl

HellermannTyton – Romania

E-Mail: officeRO@HellermannTyton.at
www.HellermannTyton.at

OOO HellermannTyton – Russia

40/4, Pulkovskoe road
BC Technopolis Pulkovo, office A 8081
196158, St. Petersburg
Tel: +7 812 386 00 09
Fax: +7 812 386 00 08
E-Mail: info@HellermannTyton.ru
www.HellermannTyton.ru

HellermannTyton – Slovenia

Branch Office Ljubljana
Podružnica Ljubljana, Leskoškova 6
1000 Ljubljana
Tel: +386 1 433 70 56
Fax: +386 1 433 63 21
E-Mail: officesl@HellermannTyton.at
www.HellermannTyton.si

HellermannTyton España s.l. – Spain/Portugal

Avda. de la Industria 37 2º 2
28108 Alcobendas, Madrid
Tel: +34 91 661 2835
Fax: +34 91 661 2368
E-Mail:
HellermannTyton@HellermannTyton.es
www.HellermannTyton.es

HellermannTyton AB – Sweden

Isafjordsgatan 5
16440 Kista
Tel: +46 8 580 890 00
Fax: +46 8 580 348 02
E-Mail: support@HellermannTyton.se
www.HellermannTyton.se

HellermannTyton

Engineering GmbH – Turkey
Saray Mah Dr. Adnan Büyükdizeni Cad. No:4
Akkom Office Park 2. Blok Kat: 10
34768 Ümraniye-Istanbul
Tel.: +90 216 687 03 40
Fax: +90 216 250 32 32
Email: info@HellermannTyton.com.tr
www.HellermannTyton.com.tr

HellermannTyton Ltd – UK

William France Road
Plymouth International Medical
and Technology Park
Plymouth, Devon PL6 5WR
Tel: +44 1752 701 261
Fax: +44 1752 790 058
E-Mail: info@HellermannTyton.co.uk
www.HellermannTyton.co.uk

HellermannTyton Ltd – UK

Sharston Green Business Park
1 Robeson Way
Altrincham Road, Wythenshawe
Manchester M22 4TY
Tel: +44 161 947 2200
Fax: +44 161 947 2220
E-Mail: sales@HellermannTyton.co.uk
www.HellermannTyton.co.uk

HellermannTyton Ltd – UK

Main Contact for Customer Service
Wharf Approach
Aldridge, Walsall, West Midlands
WS9 8BX
Tel: +44 1922 458 151
Fax: +44 1922 743 053
E-Mail: info@HellermannTyton.co.uk
www.HellermannTyton.co.uk

HellermannTyton Data Ltd – UK

Cornwell Business Park
43-45 Salthouse Road, Brackmills
Northampton NN4 7EX
Tel: +44 1604 707 420
Fax: +44 1604 705 454
E-Mail: sales@htdata.co.uk
www.htdata.co.uk

Middle East

HellermannTyton – UAE

Email: info@HellermannTyton.ae
www.HellermannTyton.ae

North America

HellermannTyton – Canada

Tel: +1 905 726 1221
Fax: +1 905 726 8538
E-Mail: sales@HellermannTyton.ca
www.HellermannTyton.ca

HellermannTyton – Mexico

Tel: +52 333 133 9880
Fax: +52 333 133 9861
E-Mail: info@HellermannTyton.com.mx
www.HellermannTyton.com

HellermannTyton – USA

Tel: +1 414 355 1130
Fax: +1 414 355 7341
E-Mail: corp@htamericas.com
www.HellermannTyton.com

South America

HellermannTyton – Argentina

Tel: +54 11 4754 5400
Fax: +54 11 4752 0374
E-Mail: ventas@HellermannTyton.com.ar
www.HellermannTyton.com.ar

HellermannTyton – Brazil

Tel: +55 11 4815 9000
Fax: +55 11 4815 9030
E-Mail: vendas@HellermannTyton.com.br
www.HellermannTyton.com.br

Asia-Pacific

HellermannTyton – Australia

Tel: +61 2 9525 2133
Fax: +61 2 9526 2495
E-Mail: cservice@HellermannTyton.com.au
www.HellermannTyton.com.au

HellermannTyton – China

Tel: +86 510 8528 2536
Fax: +86 510 8528 2731
E-Mail: cservice@HellermannTyton.com.cn
www.HellermannTyton.com.cn

HellermannTyton – Hong Kong

Tel: +852 2832 9090
Fax: +852 2832 9381
E-Mail: cservice@HellermannTyton.com.hk
www.HellermannTyton.com.sg

HellermannTyton – India

Tel: +91 120 413 3384
Bangalore: +91 776 001 0104
Chennai: +91 996 264 3939
Faridabad: +91 971 851 7797
Ghaziabad: +91 93 1354 1671
Pune: +91 727 601 2200
E-Mail: cservice@HellermannTyton.co.in
www.HellermannTyton.co.in

HellermannTyton – Japan

Tel: +81 3 5790 3111
Fax: +81 3 5790 3112
E-Mail: mkt@HellermannTyton.co.jp
www.HellermannTyton.co.jp

HellermannTyton – Republic of Korea

Tel: +82 31 388 8012
Fax: +82 31 388 8013
E-Mail: cservice@HellermannTyton.co.kr
www.HellermannTyton.co.kr

HellermannTyton – Philippines

Tel: +63 2 752 6551
Fax: +63 2 752 6553
E-Mail: cservice@HellermannTyton.com.ph
www.HellermannTyton.com.ph

HellermannTyton – Singapore

Tel.: +65 6 586 1919
Fax: +65 6 752 2527
E-Mail: cservice@HellermannTyton.sg
www.HellermannTyton.com.sg

HellermannTyton – Thailand

Tel: +662 237 6702 / 266 0624
Fax: +662 266 8664
E-Mail: cservice@HellermannTyton.co.th
www.HellermannTyton.com.sg

Africa

HellermannTyton – South Africa

Tel: +27 11 879 6680
Fax: +27 11 879 6601
E-Mail: sales.jhb@Hellermann.co.za
www.HellermannTyton.co.za

